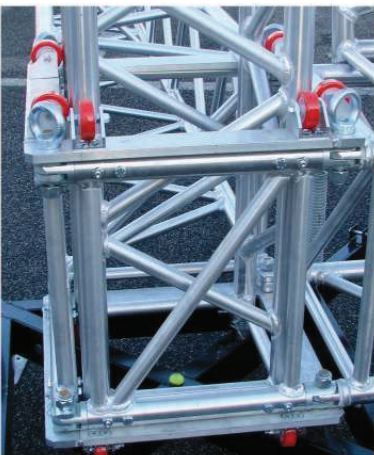
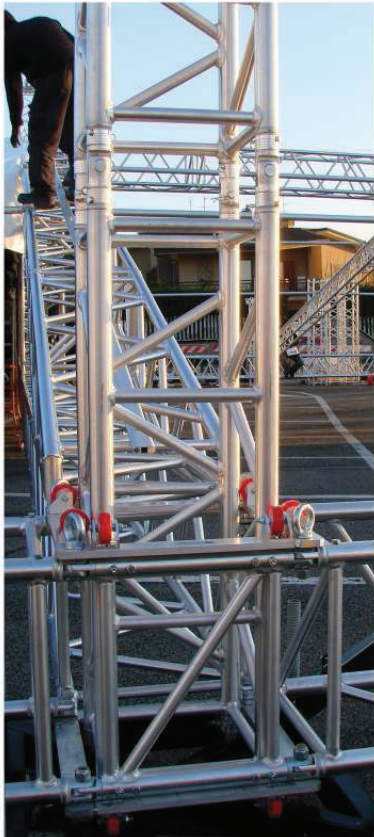




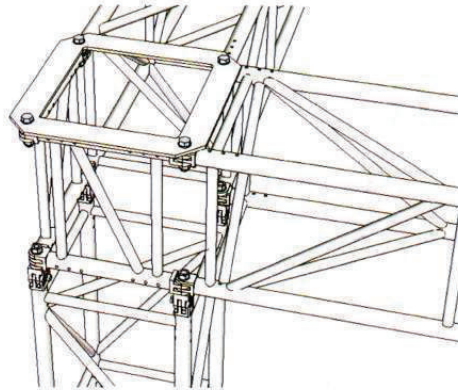
CONNESSIONI CON FORCHE

Conneessioni a forca con spinotto in acciaio sono usate nella serie High Load & Super Truss Series. Costruiti per sostenere carichi elevati.

Only Forked connections with steel junction pins are used in High Load & Super Truss Series. Designed to withstand the highest load and stress.

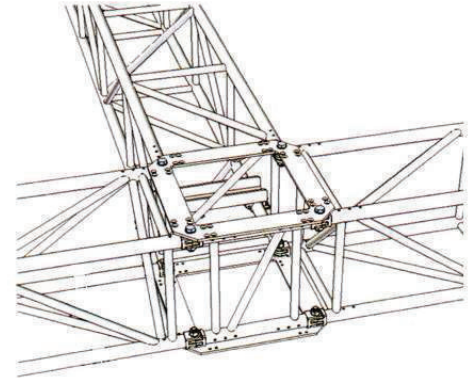


CONNECTION CORNER FREE TRUSS SERIES



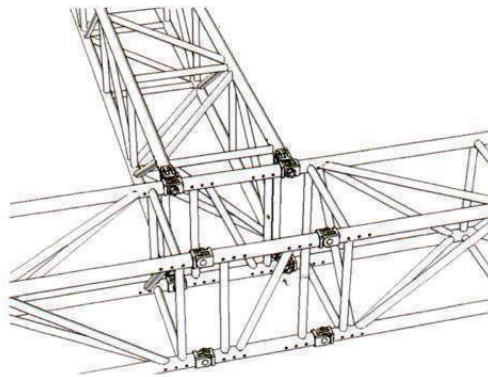
Connessione 3 vie 90° con pilastro

Connection 3 way 90° with pilar



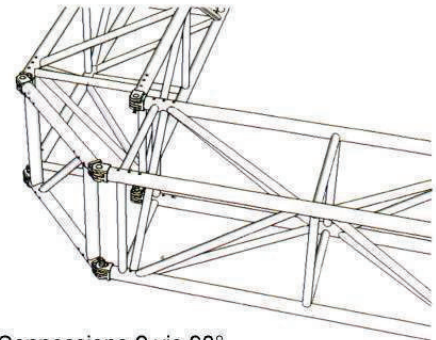
Connessione 3 vie "T"

Connection 3 way "T"



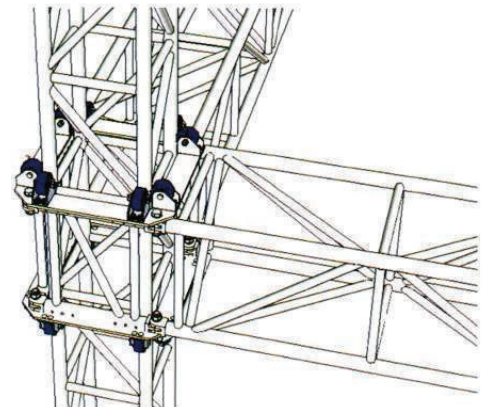
Connessione 3 vie "T"

Connection 3 way "T"



Connessione 2 vie 90°

Connection 2 Way 90°



Connessione 2 vie per carrello torre

Connection 2 way for sleeveblock