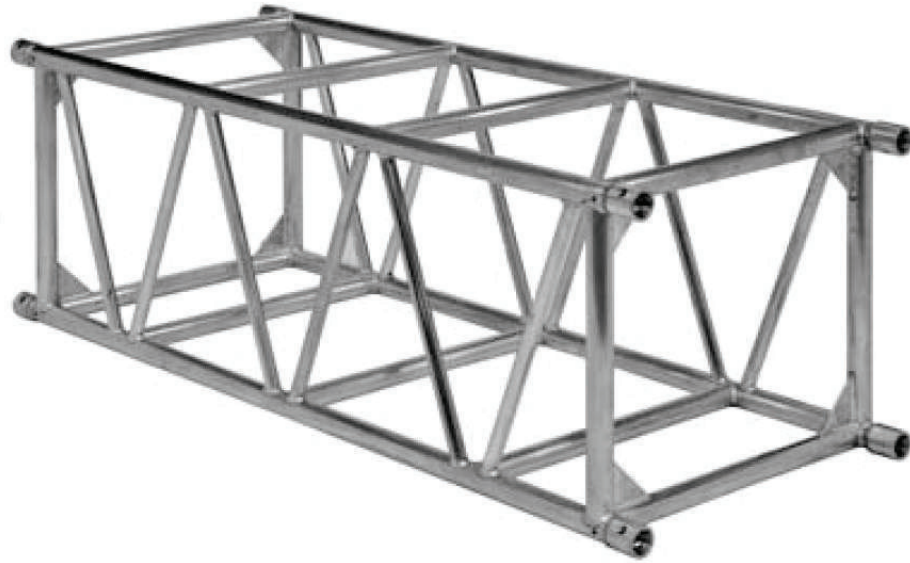
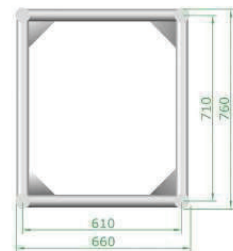


## WQ66S SERIES



WQ66S top view



WQ66S side view



Traliccio in alluminio a sezione quadro rinforzato con lato 66x76 cm.

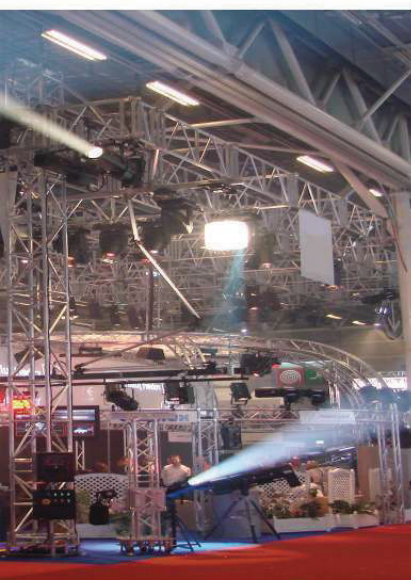
- A: Tubi correnti Ø 50x4 mm  
Lega EN-AW 6082 T6
- B: Diagonali Ø 30x3 mm

Square section truss with 66x76 cm long sides high load.

- A: Chords extruded tube Ø 50x4 mm  
EN-AW 6082 T6
- B: Diagonals extruded tube Ø 30x3 mm  
EN-AW 6082 T6

### WQ66S

CODE	DIMENSIONS (cm)	WEIGHT (kg)
WQ66S/100	76x66x100	17.00
WQ66S/174	76x66x174	28.90
WQ66S/200	76x66x200	34.00
WQ66S/250	76x66x250	42.50
WQ66S/300	76x66x300	51.00



# RIES W66S SERIES W6



## LOAD TABLE WQ66S



Span [m]	Centre Point Load (C.P.L.)			Third Point Load (T.P.L.)			Quarter Point Load (Q.P.L.)			Fifth Point Load (F.P.L.)			Uniformly Distributed Load (U.D.L.)		
	Point Load [Kg]	Full Load [Kg]	Central Deflection [mm]	Point Load [Kg]	Full Load [Kg]	Central Deflection [mm]	Point Load [Kg]	Full Load [Kg]	Central Deflection [mm]	Point Load [Kg]	Full Load [Kg]	Central Deflection [mm]	Point Load [Kg]	Full Load [Kg]	Central Deflection [mm]
3	6195	6195	4	3097	6194	4	2054	6162	4	1548	6192	4	2064	6192	4
4	5042	5042	7	3088	6176	7	2047	6141	7	1544	6176	7	1543	6172	7
5	4019	4019	10	3014	6028	10	2007	6021	10	1540	6160	10	1232	6160	10
6	3333	3333	15	2500	5000	15	1667	5001	15	1380	5520	15	1025	6150	15
7	2841	2841	20	2130	4260	20	1421	4263	20	1179	4716	20	812	5684	20
8	2471	2471	26	1852	3704	26	1234	3702	26	1024	4096	26	616	4928	26
9	2179	2179	33	1634	3268	33	1090	3270	33	902	3608	33	485	4365	33
10	1945	1945	40	1458	2916	40	972	2916	40	806	3224	40	387	3870	40
11	1750	1750	51	1314	2628	51	875	2625	51	726	2904	51	316	3476	51
12	1591	1591	58	1190	2380	58	794	2382	58	661	2644	58	264	3168	58
13	1450	1450	71	1084	2168	71	724	2172	71	600	2400	71	221	2873	71
14	1330	1330	82	998	1996	82	664	1992	82	554	2216	82	196	2744	82
15	1224	1224	94	916	1832	94	612	1836	94	508	2032	94	165	2475	94
16	1133	1133	106	880	1760	106	564	1692	106	469	1876	106	140	2240	106
17	1050	1050	118	786	1572	118	524	1572	118	434	1736	118	122	2074	118
18	975	975	135	730	1460	135	486	1458	135	401	1604	135	104	1872	135
19	906	906	148	680	1360	148	452	1356	148	374	1496	148	94	1786	148
20	844	844	165	634	1268	165	422	1266	165	348	1392	165	83	1660	165
21	787	787	182	590	1180	182	394	1182	182	324	1296	182	74	1554	182
22	735	735	197	551	1102	197	368	1104	197	304	1216	197	65	1430	197
23	686	686	219	514	1028	219	343	1029	219	284	1136	219	59	1357	219
24	641	641	238	480	960	238	320	960	238	264	1056	238	52	1248	238

Calcolo eseguito in conformità della norma Europea **Eurocodice 9, UNI ENV 1992**, "Progetto di strutture in alluminio"

Calculated according to European **Eurocode 9, UNI ENV 1992** "Project of aluminum structures".

Description	Specification
External dimension	660 x 760 mm
Main tube	Ø 50x4 mm EN-AW 6082 T6
Braces	Ø 30x3 mm EN-AW 6082 T6
Diagonals	Ø 50x4 mm EN-AW 6082 T6
Connecting	Forks connection / Spigots
Welding process	TIG (EWF - EN ISO 9606-2 - 2004)
Available length (cm)	60-80-100-130-150-160-200-240-300

